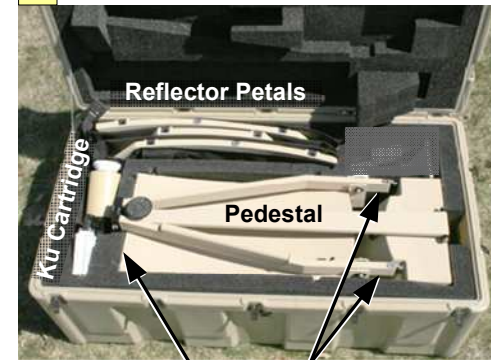


Summit Portable, Autopointing, Satellite Terminal – Quick Reference Card

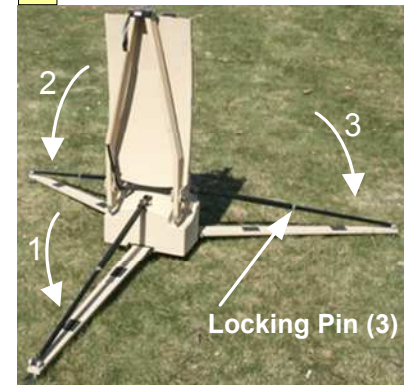
Deploying the Antenna with Ku Cartridge

1 Open the case, remove pedestal



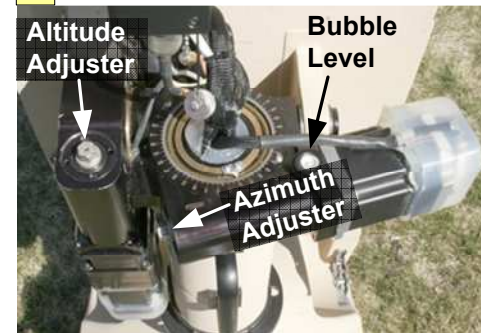
Lift points:
Top edge of reflector and feed arm ends

2 Extend and lock the legs



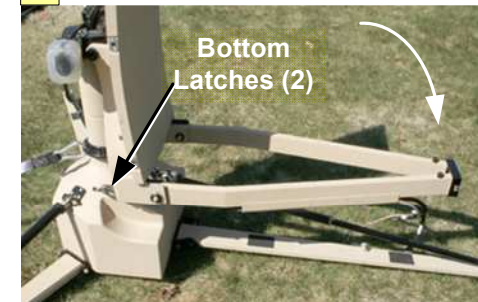
Tilt pedestal and push down on each leg until it locks

3 Level the pedestal



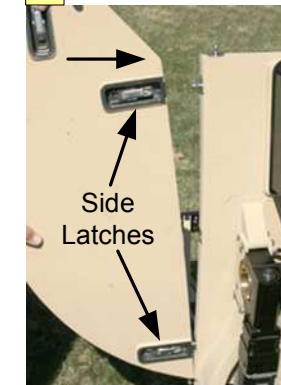
Shim each leg as needed. Adjuster nuts (7/16 in.) are for manual motion only.

4 Lower the feed arm

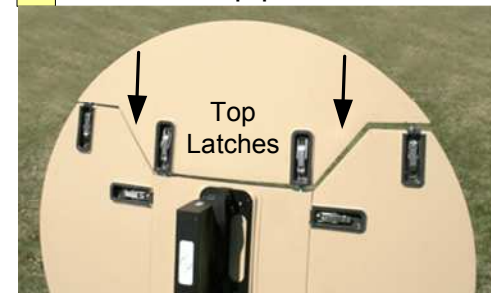


Fasten the bottom latches

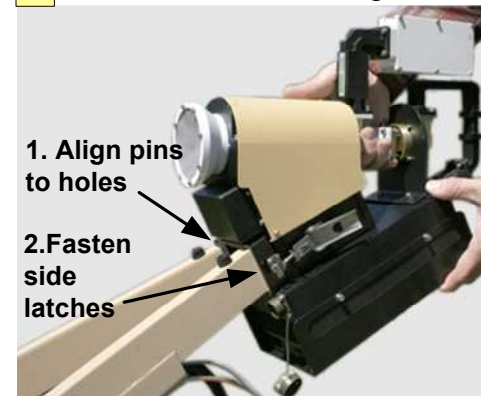
5 Install the side petals



6 Install the top petal

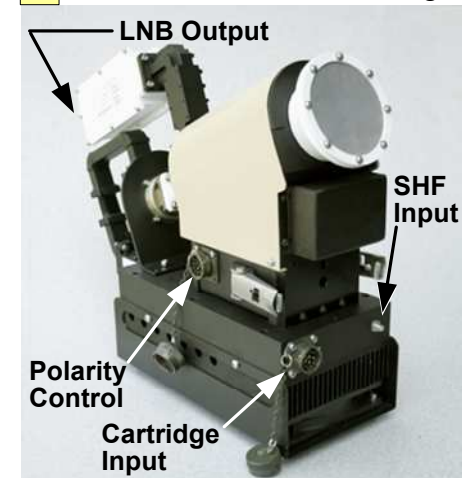


7 Install the feed cartridge



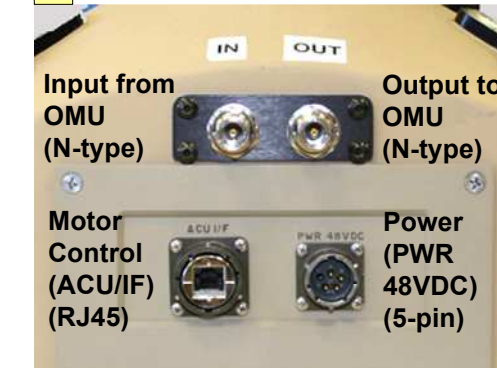
At end of feed arm

8 Connect cables to cartridge



(Shown uninstalled to identify connectors.)
Next fasten bottom feed arm latches.

9 Connect IFL cables to pedestal



OMU = Outdoor Model Unit

10 Connect antenna pedestal to Apex Outdoor Unit

Refer to the Apex Outdoor Unit Quick Reference Card packed with the Apex Outdoor Unit

Note: Anchor the pedestal after locking onto satellite

Metal clip
Tie-down strap
Metal stake

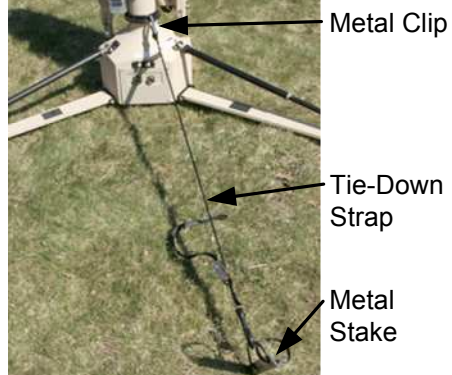
Anchor at 3 equally-spaced locations

Only if needed

Summit Portable, Autopointing, Satellite Terminal Quick Reference Card

Stowing the Antenna

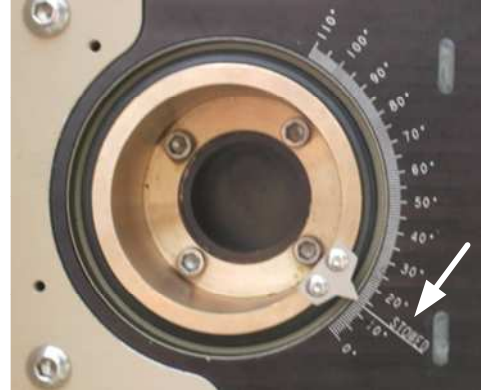
1 Remove and stow straps and stakes (if used)



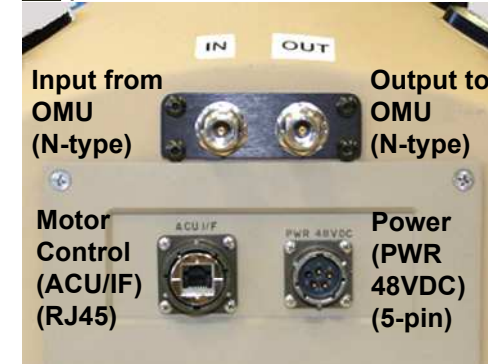
2 Verify azimuth indicator is at 0 degrees



3 Verify altitude indicator is at **STOWED** marker

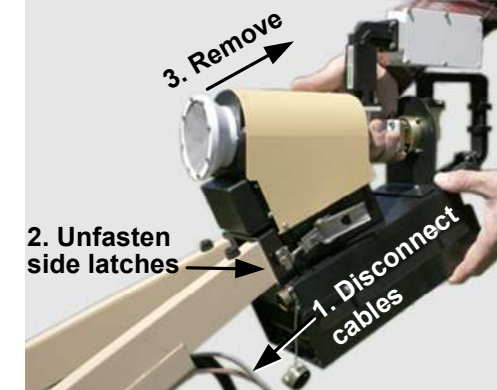


4 Disconnect IFL cables from pedestal and stow cables

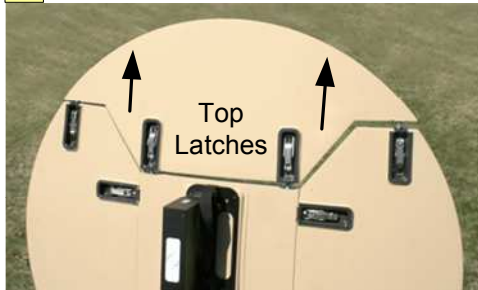


OMU = Outdoor Model Unit

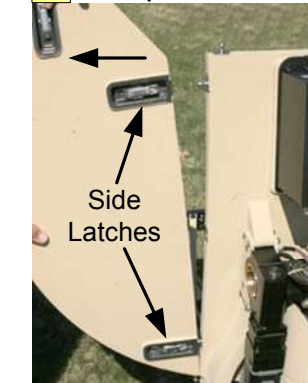
5 Remove and stow feed cartridge



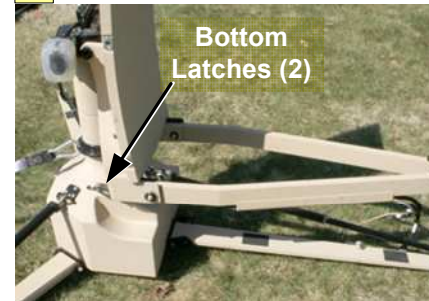
6 Remove and stow top petal



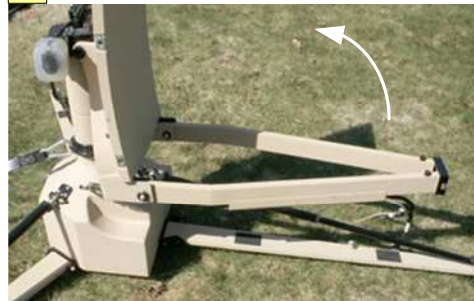
7 Remove and stow side petals



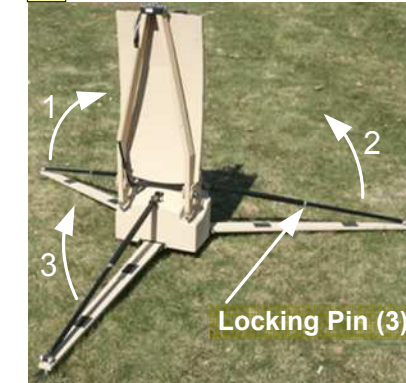
8 Unlatch the feed arm



9 Raise the feed arm fully

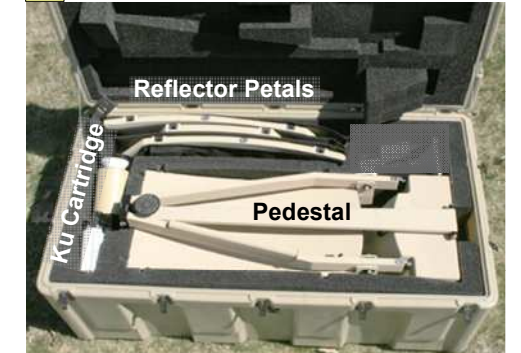


10 Unlock and fold up the legs



Tilt pedestal while pressing locking pin on leg

11 Stow antenna components



Close lid, fasten all side latches



Calling for Service

Business Hours: Monday – Friday
8:00 AM - 7:00PM Eastern Time (US)
(0800 - 1900 hrs US ET)

Telephone: 800.490.5700 (Press 4)
+1.978.671.5700 (Press 4)

After Hours, Weekends, and Holidays:

Telephone: +1.978.671.5929
E-mail: technicalsupport@mrcbroadcast.com

© 2008 Microwave Radio Communications